

CENTROSOLAR: C-SERIES MODULE

60 CELL

German Engineered and Manufactured

The Centrosolar C-Series is a high quality constructed PV module for superior performance in all weather conditions including coastal salt air regions. Modules utilize a chemical resistant and flame retardant back sheet, and anti-reflective (AR) coated high-transparency impact-resistant tempered glass for maximum durability and energy yield even in diffused and low light for improved total performance over the life of the product. Modules are configured as 60 polycrystalline or monocrystalline high-efficiency silicon cells. The Centrosolar C-Series meets industry standards and performs well under all conditions including ice, hail, snow, high wind, humidity, and high temperatures. Modules are available with white back sheets and silver frames or black back sheets with black frames.

PREMIUM QUALITY GUARANTEE

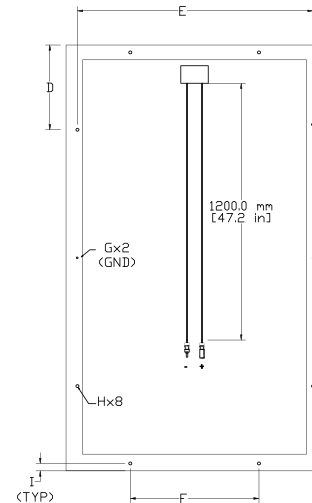
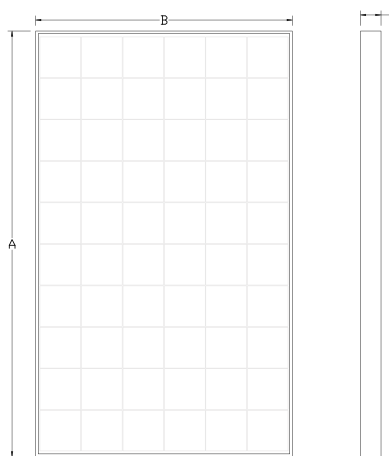
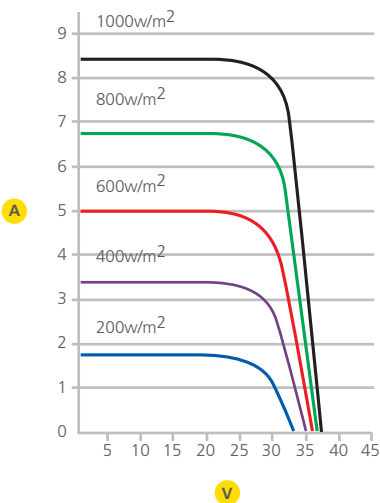
- Positive power classification for true power rating of module*
- 10 year product workmanship warranty
- Power warranty 26 year < 80% and 12 year < 90% of minimum peak power
- Internal by-pass diodes across 20 series cells resist shading effects
- Available in clear or black anodized aluminum frame
- Frame designed with water drainage, mounting, and ground holes
- Modules compatible with CentroRack™ mounting system
- Rugged design for extreme weather conditions (hail, snow, wind, high ambient temperature)
- Conforms to UL1703, CE Compliant, ULC/ORD C1703-1
- Low temperature coefficient and award-winning CENTROSOL™ HiT anti-reflective glass coating delivers up to 4% annual improvement in energy yield

Technical Data

Module Frame / Backsheet Color	Silver-Clear Anodize / White Back			Black Anodize / White Back		
Module Number: Monocrystalline	CM6 230SW	CM6 235SW	CM6 240SW	CM6 230BW	CM6 235BW	CM6 240BW
Module Number: Polycrystalline	CP6 230SW	CP6 235SW	CP6 240SW	CP6 230BW	CP6 235BW	CP6 240BW
Peak Power (Pmax) ** Watts	230W	235W	240W	230W	235W	240W
Voltage at Maximum (Vmp)	28.65	28.70	28.75	28.65	28.70	28.75
Current at Maximum Power (Imp)	8.03	8.19	8.35	8.03	8.19	8.35
Open Current Voltage (Voc)	36.39	36.46	36.53	36.39	36.46	36.53
Short Circuit Current (Isc)	8.48	8.59	8.70	8.48	8.59	8.70
Cells in series - Size (mm)	60 cells - 6.1 " (156mm) x 6.1 " (156mm)					
Series Fuse (Amps)	15A					
Maximum System Voltage	600V					
Temperature Coefficient (Pmax)	-0.43% / °C					
Temperature Coefficient (Voc)	-0.35% / °C					
Temperature Coefficient (Isc)	0.03% / °C					
Nominal Operating Cell Temperature	114.8 °F (46 °C)					
Output Cable	#12 AWG (4mm) x 47.2 " (1200mm)					
Output Cable Connector Type	Tyco SOLARLOK					
Panel Load Rating (PSF)	50lb/ft ²					
Panel Weight lbs (kg)	44 lbs (20kg)					

Dimensions

	A	B	C	D	E	F	G - Dia.	H - Dia.	I - Typ.
inch	65.35	38.98	1.57	16.93	37.61	22.44	0.165	0.354	0.685
mm	1660	990	40	430	955,2	570	4,2	9	17,4



*Positive power classification: range (Wp): -0/+4.99W, measurement of accuracy STC: -3/+3%

**Standard testing conditions (STC): 1,000W/m², spectrum AM 1.5, cell temperature 25°C



Copyright 2011, Rev (3) 12/20/2011. Specifications are subject to change without notice. All trademarks are the property of their respective owners.